

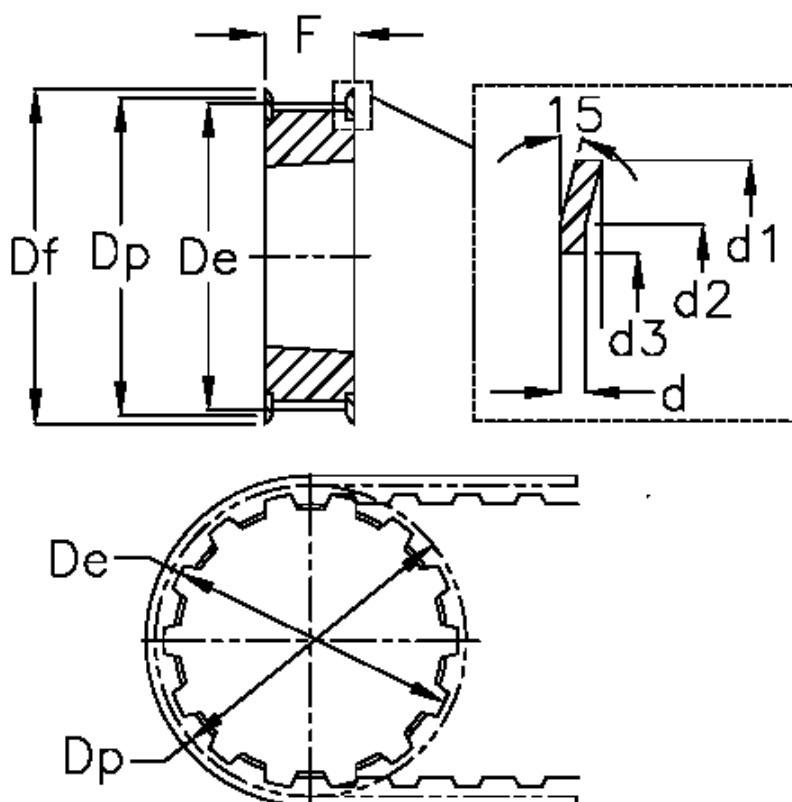
Data Sheet



Article number: 604130038015

Description: Taper bored timing belt pulley
HTD 38 5M 15 TL 1108

Measures



d = 1	Flange type = F25
d1 = 66	For bushing = 1108
d2 = 63	Max bore = 25
d3 = 52	S = 22
De = 59.34	Tooth number = 38
Df = 66	Type = 5M
Dp = 60.48	Weight = -
F = 22	Width = 15